

ASAHI KINZOKU Co.,Ltd

The pioneer of loading machine.

High-Speed Card Distributor

MODEL

CT-24T

Easy to use with new Touch Panel
240pcs/min Capacity with
Rotary Mechanism

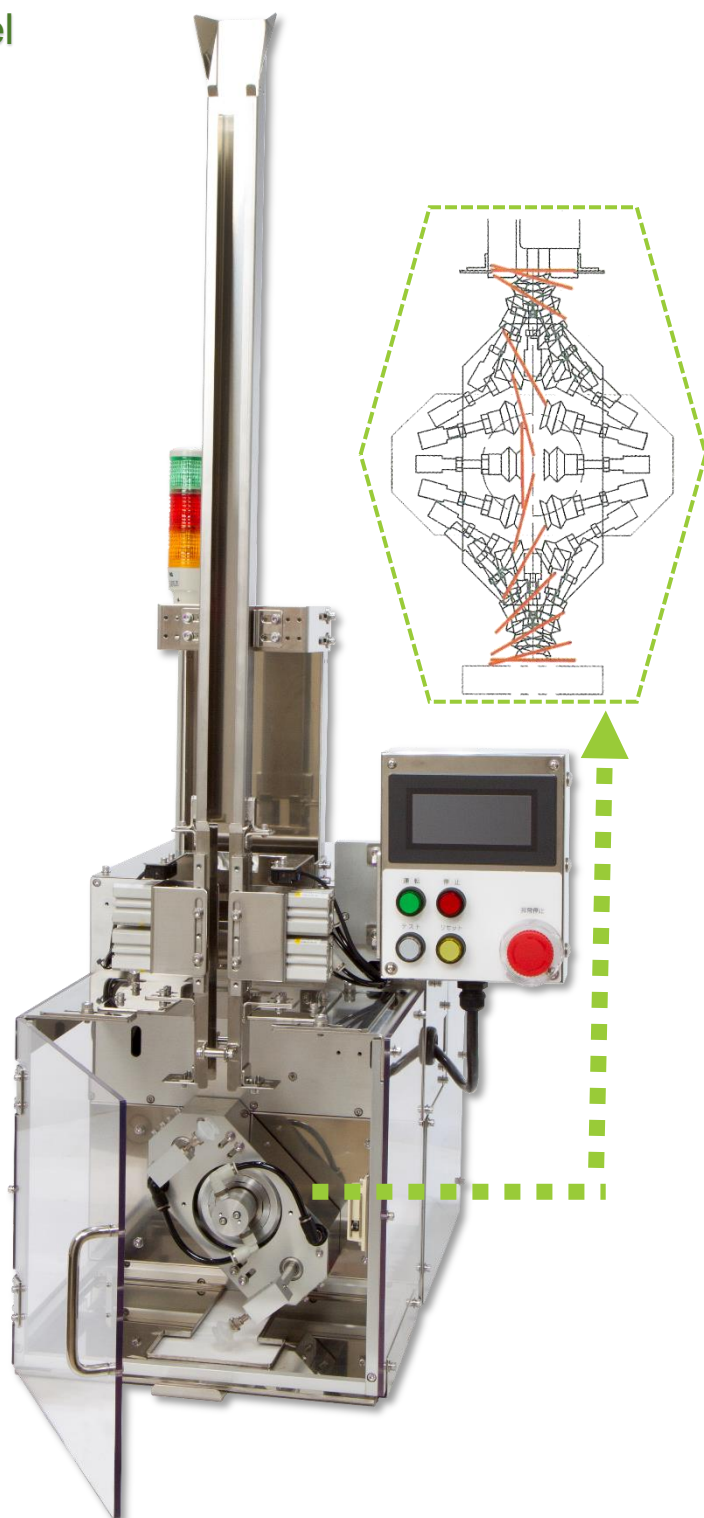
**High-Speed &
High-Accuracy**

**Safe
Design**

Compact

For the following items

- Collector's cards/Novelty cards
- Promotional stickers
- 'AGELESS' cards
- Desiccant sheet

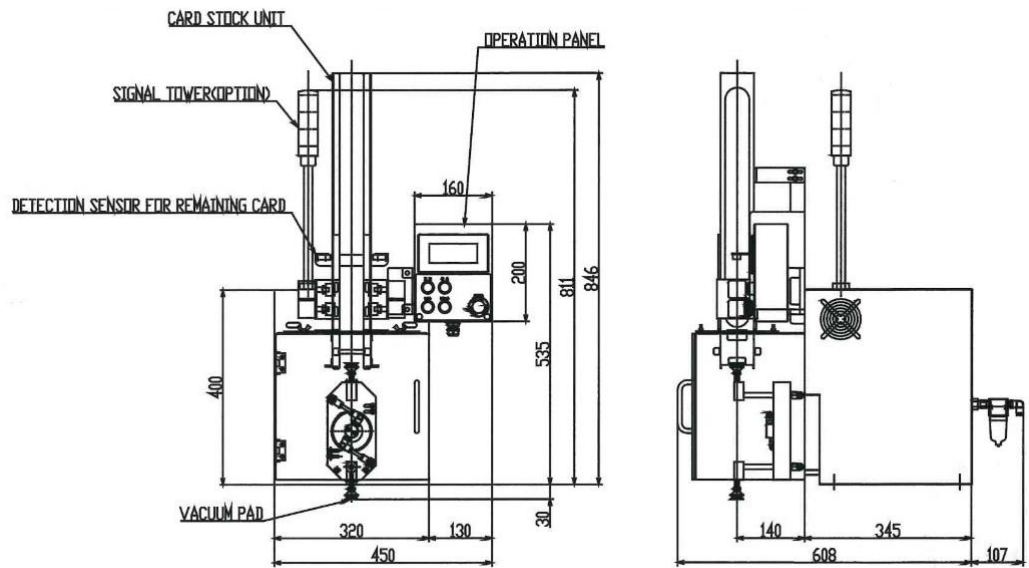


HIGH-SPEED CARD DISTRIBUTOR is ideal for placing 'AGELESS' cards, stickers, desiccant sheet, and more on to the conveyor of a packaging machine.

**CT-24T
FEATURES**

- Compact design, due to the rotary mechanism, permits smooth distributing with high-speed operation.
- High stability for safe operation.
- Easy to change cards with a cassette type feeder.

**SCHEMATIC
DIAGRAM**



**STANDARD
SPECIFICATIONS**

- Capacity:** 240pcs/min
- Dimensions:** 450mm(W)×608mm(D)×535mm(H)
- Weight:** 35kg
- Power Supply:** AC 200V 50/60Hz Single phase
- Power Consumption:** 1KVA
- Air Pressure:** 0.5~0.6MPa
- Air Consumption:** 100Nℓ/min
- Card Size:** 30~100mm (W)×30~100mm(L)×MAX1mm(T)

**OPTIONAL
DEVICES
ARE AVAILABLE**

- **Signal Tower**
- **Adjustable Stand**
- **Conveyor for each packaging machine.**

- We have extensive experienced in card distributing. Please do not hesitate to contact us for more information.
- Specifications and appearance are subject to change without notice for improvement.



CAUTION

For Safe Use

- Read operation manual carefully before use for proper and correct operation
- Use the machine only with indicated electric current and voltage
- Be sure to ground the machine to prevent electrocution or short circuit.



505 Simomaruya-cho, Nishi-iru, Chiekoin-dori,
Shimodachiuri-dori, Kamigyo-ku, Kyoto city
602 - 8176 JAPAN
Tel +81-75-801-0154 Fax +81-75-842-1351
URL <http://www.akg.jp/kinzoku/>
E-mail asahi@akg.jp

10-2 Miyamoto-cho, Ageo city, Saitama Prefecture
362-0036 JAPAN
Tel +81-48-771-0662 Fax +81-48-773-5937

No. 206 Ichikura Building, 1-26, 2-chome, Hakata
station south, Hakata-ku, Fukuoka city
812-0016, JAPAN
Tel +81-92-471-5234 Fax +81-92-473-7150

■ Reference

**Sales &
Manufacturing
Headquarters**

Tokyo Sales Office

Kyushu Sales Office