

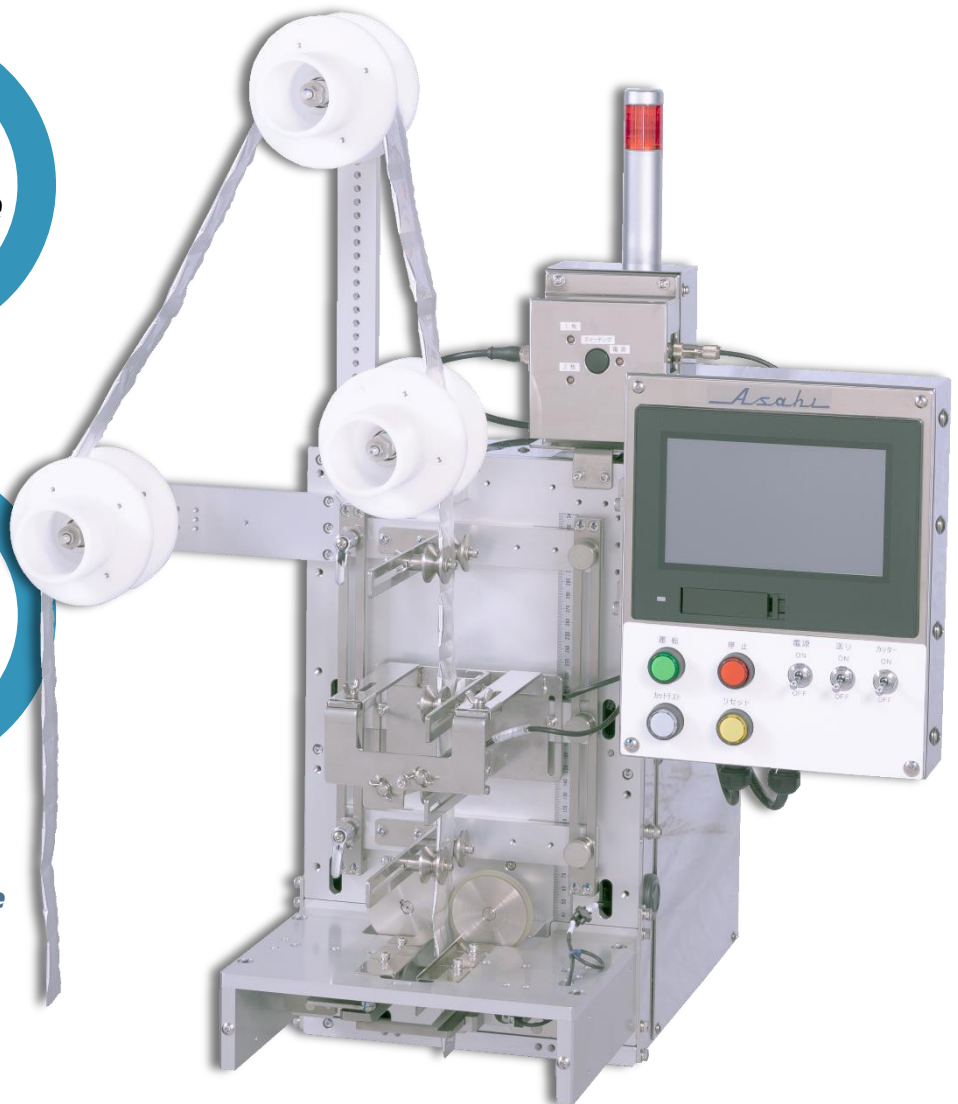
ASAHI KINZOKU Co.,Ltd

The pioneer of loading machine.

Automatic Pouch Distributor

MODEL NR-101

Synchronized Control Supported



**Can be used for the
following items**

- Powder
- Liquid
- Soups
- Spices
- Desiccants
- Oxygen absorbers and more

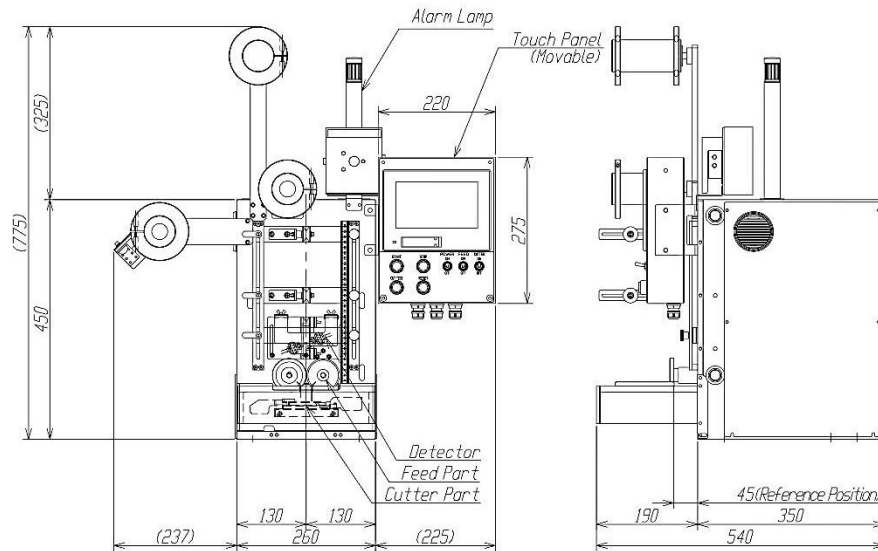
Continuous pouches should be applied.

Pouches that seal on three or four side can be used for this machine.

NR-101 FEATURES

- Our custom-built software allows high-speed & accurate distributing.
- Easy operation requires only two buttons ,START and STOP, for daily use.
- 100 different types of pouch data can be registered and switched easily among them.
- Pouch-feed and Cutter are driven by Servo motor for low noise operation.
- Double cutter allows both accurate cut and stable distribution of pouches having a thickness up to 30 mm.
- Cutter can be removed quickly for easy maintenance.
- Easy to connect the NR-101 to your existing packaging machine due to its compactness.
- Operation panel can be attached to the front / back / left / right according to your specifications.
- Built in software allows easy installation of optional devices.
- With the optional suction device, pouches can be distributed and pasted accurately into your desired position.

SCHEMATIC DIAGRAM



STANDARD SPECIFICATIONS

- Capacity: 330pcs/min (When the pouch length is 50mm)
- Dimensions: (W) 260 mm × (H) 450 mm × (D) 540
- Machine Weight: 35kg
- Power Supply: AC200V 50Hz/60Hz 1phase
- Power Consumption: 1.8KVA
- Pouch Sizes: (W) 20~100 mm × (L) 25~150 mm × (T) MAX 30 mm

OPTIONAL DEVICES ARE AVAILABLE

- Vibration Device ●Dispenser ●Regulator Device
- Pouch Crease Smoother ●Adjustable Stand ●Suction Device etc.

- Please do not hesitate to contact ASAHI KINZOKU for expert advice about our new **Automatic Pouch Distributor**.
- Specifications and appearance are subject to change without notice.



CAUTION

For Safe Use

- Read operation manual carefully before use to insure proper and correct operation
- Use the machine only with indicated electric current and voltage
- Be sure to ground the machine to prevent electrocution or short circuit.

Sales &
Manufacturing
Headquarters

 **ASAHI KINZOKU CO.,LTD**

505 Simomaruya-cho, Nishi-iru, Chiekoin-dori,
Shimodachiuri-dori, Kamigyo-ku, Kyoto city
602-8176 JAPAN
Tel +81-75-801-0154 Fax +81-75-842-1351
URL <http://www.akg.jp/kinzoku/>
E-mail asahi@akg.jp

Tokyo Sales Office

10-2 Miyamoto-cho, Ageo city, Saitama Prefecture
362-0036 JAPAN
Tel +81-48-771-0662 Fax +81-48-773-5937

Kyushu Sales Office

No. 206 Ichikura Building, 1-26, 2-chome, Hakata
station south, Hakata-ku, Fukuoka city 812-0016,
JAPAN
Tel +81-92-471-5234 Fax +81-92-473-7150

■ Reference